



Nando's

PRODUCT MANUAL



INTERMETAL
CONTRACT FURNITURE MANUFACTURER

PRODUCT MANUAL

Prepared for



Prepared by



TABLE OF CONTENTS

Leather	04
Wood Stains / Powder Coating	05
Indoor Chair 1	06
Elbow Chair	08
Stefani Chair	10
Indoor Chair 4	12
Indoor Chair 5	14
Indoor Chair 6	16
Indoor Chair 7	18
Outdoor Chair 1	20
Outdoor Chair 2	22
Outdoor Chair 3	24
Outdoor Chair 4	26
Outdoor Chair 5	28
Outdoor Chair 6	30
Outdoor Chair 7	32
Price List	34
Customer Point of Contact	37

LEATHER



Whatnot – Portofino Antique Olive



Whatnot – Pista Peanut



Whatnot – Pista Butterscotch



Whatnot – Regal Bordeaux



Taureg Night Blue

Colours may vary from actual.

The digital images displayed show the most accurate colour possible, however, due to differences in computer monitors, there may be variations in colour between the actual product and your screen.

WOOD STAINS



Light



Medium



Dark

POWDER COATING (OUTDOOR)



RAL 1023
Traffic Yellow Colour



Pantone 1797C
PERi-Red



Forest Green



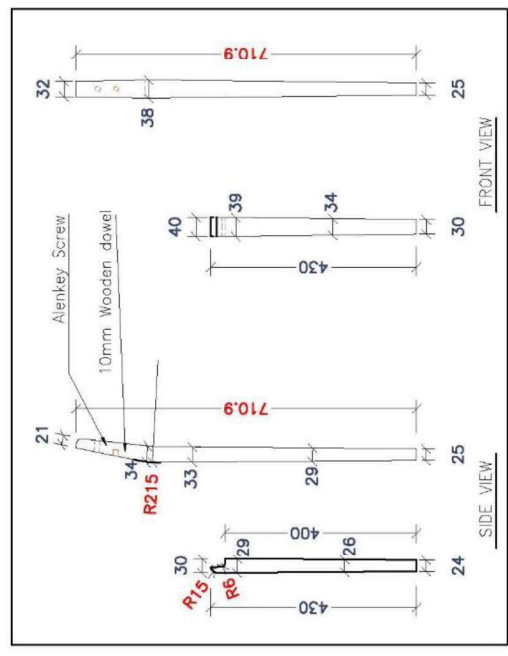
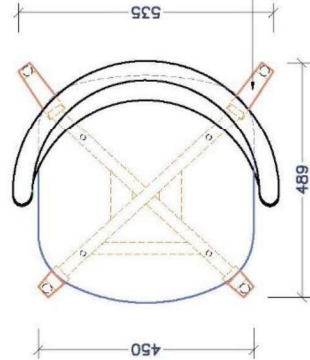
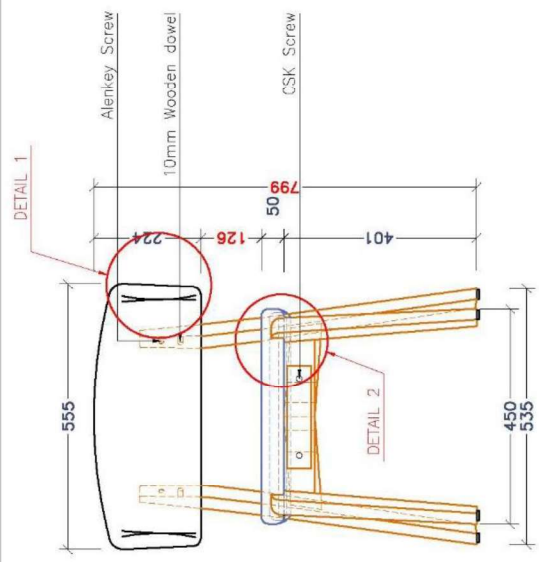
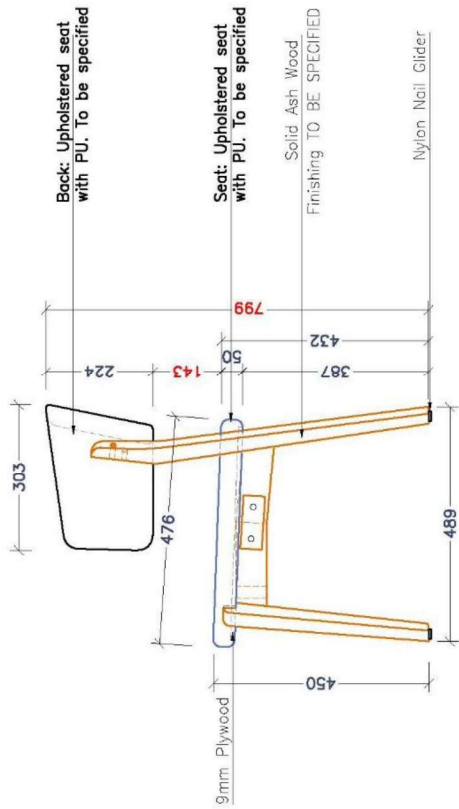
Burgundy



Black

Colours may vary from actual.

The digital images displayed show the most accurate colour possible, however, due to differences in computer monitors, there may be variations in colour between the actual product and your screen.



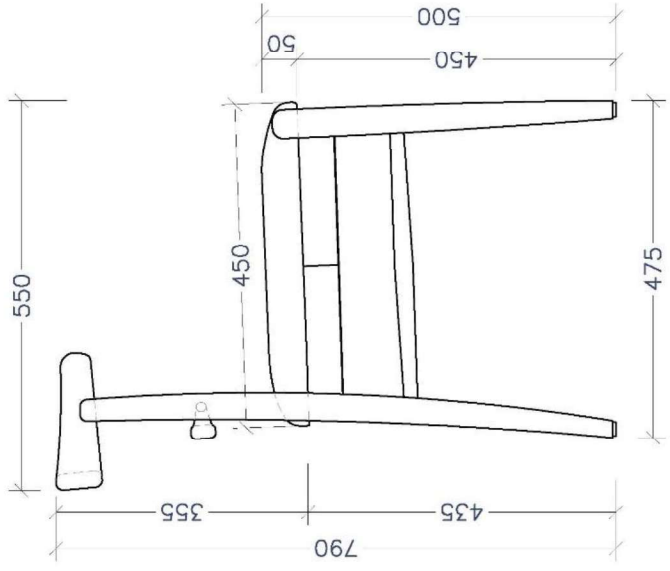
PROJECT		MATERIAL - AS SHOWN		FINISH - As Specified		UNSPECIFIED TOLERANCE IS		ASSY. NO.		REC. NO.	
RESTAURANT FURNITURE Nandos Restaurant		DRAWN. BY.	FAISAL R.	DWG. TITLE	INDOOR CHAIR 1	SCALE		A4 N.T.S.		PROJECTION	
		CHECKED BY.	Harout K.	ITEM CODE		QNTY.		00		REV.	
		DATE	14/07/2023	DWG. NO.		REV.		00			

INTERMETAL
Design & Development Department
DUBAI, United Arab Emirates
P.O. BOX 474039
TEL : 9714-8841650 FAX : 9714-8841994

INDOOR CHAIR 1



Nando's Ref: FR-ND Chair 01
Dimensions: 55.5W x 48.9D x 79.9H x 45SH (cm)
Frame: Solid Ash Wood
Finish: Stained as per client's choice of colour
Upholstery: **Backrest – TBA**
Seat – TBA

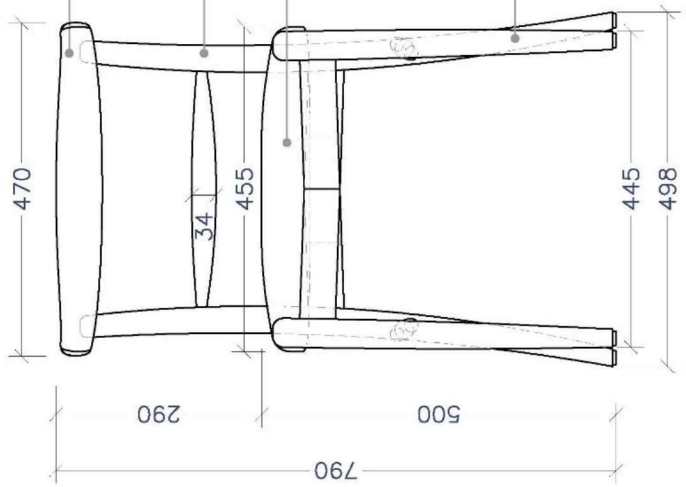


SOLID ASH WOOD
FINISH: TO BE SPECIFIED

SOLID ASH WOOD
FINISH: TO BE SPECIFIED

SEAT: UPHOLSTERED WITH
PU. TO BE SPECIFIED

SOLID ASH WOOD
FINISH: TO BE SPECIFIED

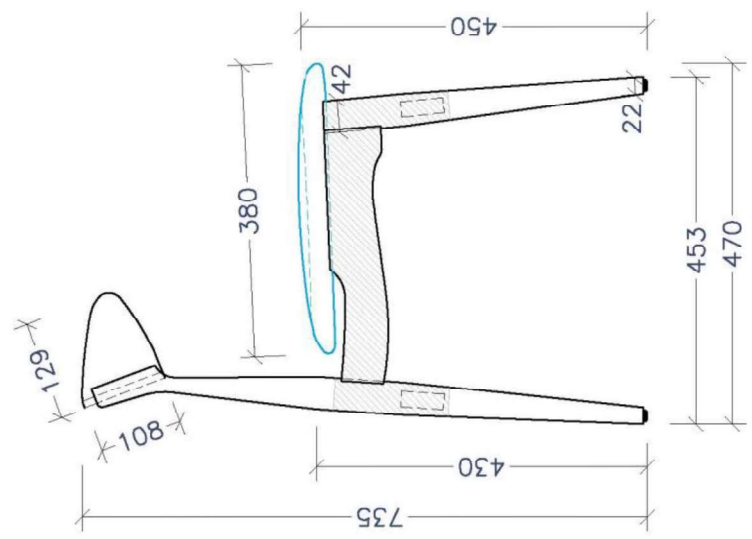
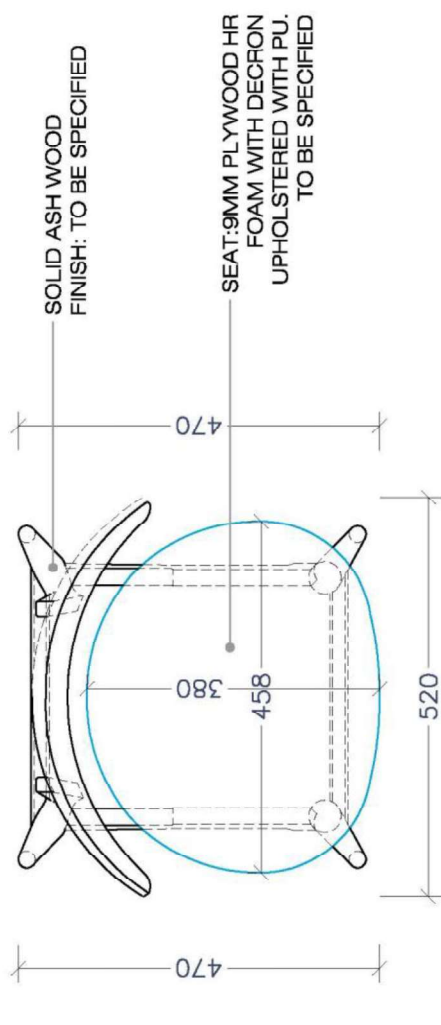
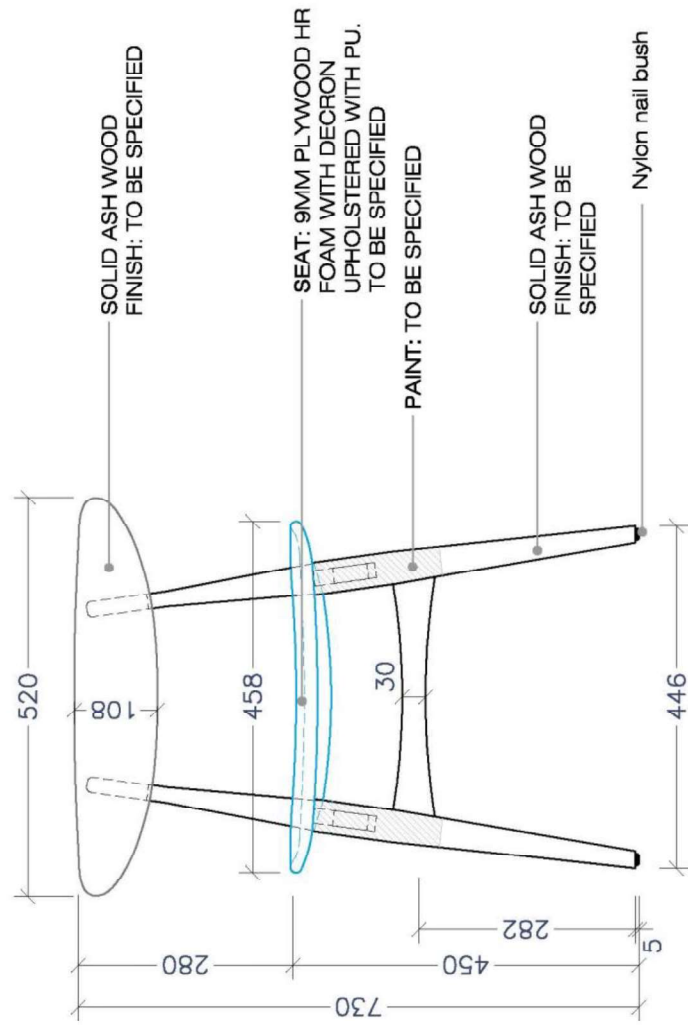


ALL DIMENSIONS ARE IN MM (UNLESS SPECIFIED)		MATERIAL - AS SHOWN		FINISH - as specified		UNSPECIFIED TOLERANCE IS		ASSY.NO.		REC.NO.	
PROJECT		DRAWN. BY. FAISAL R.		DWG. TITLE INDOOR CHAIR 2		SCALE A4 N.T.S				INTERMEAL	
RESTAURANT FURNITURE		CHECKED BY. Harout K.		ITEM CODE		PROTECTION				Design & Development Department	
Nandos Restaurant		DATE 14/07/2023		DWG. NO.		QNTY. 00				DUBAI, United Arab Emirates	
						REV. 00				P.O. BOX 474039	
										TEL : 9714-8841650 FAX : 9714-8841934	

ELBOW CHAIR



Nando's Ref: FR-ND Elbow Chair 02
Dimensions: 50W x 55D x 79H x 50SH (cm)
Frame: Solid Ash Wood
Finish: Stained as per client's choice of colour
Upholstery: Seat – TBA

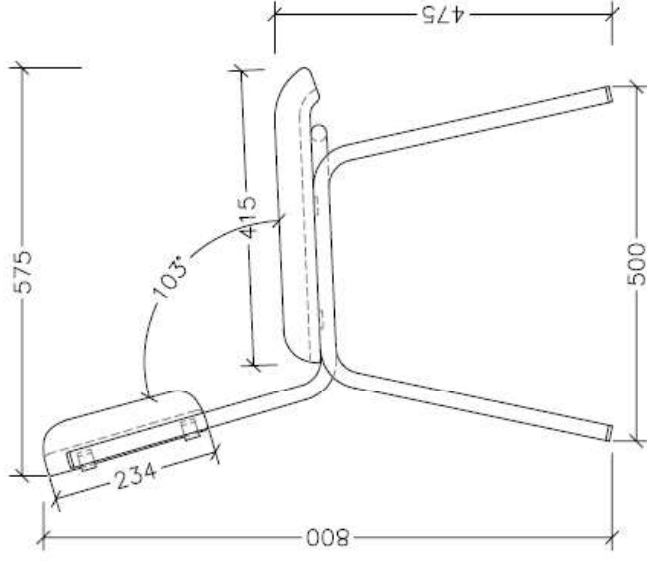
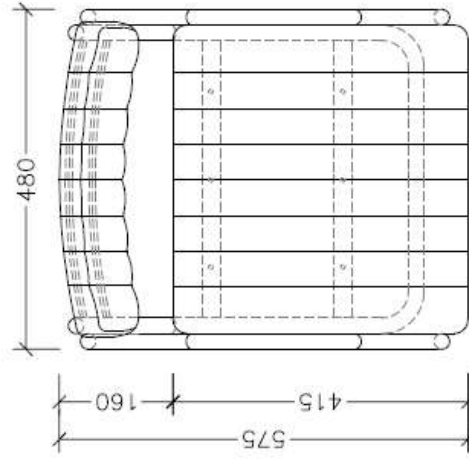
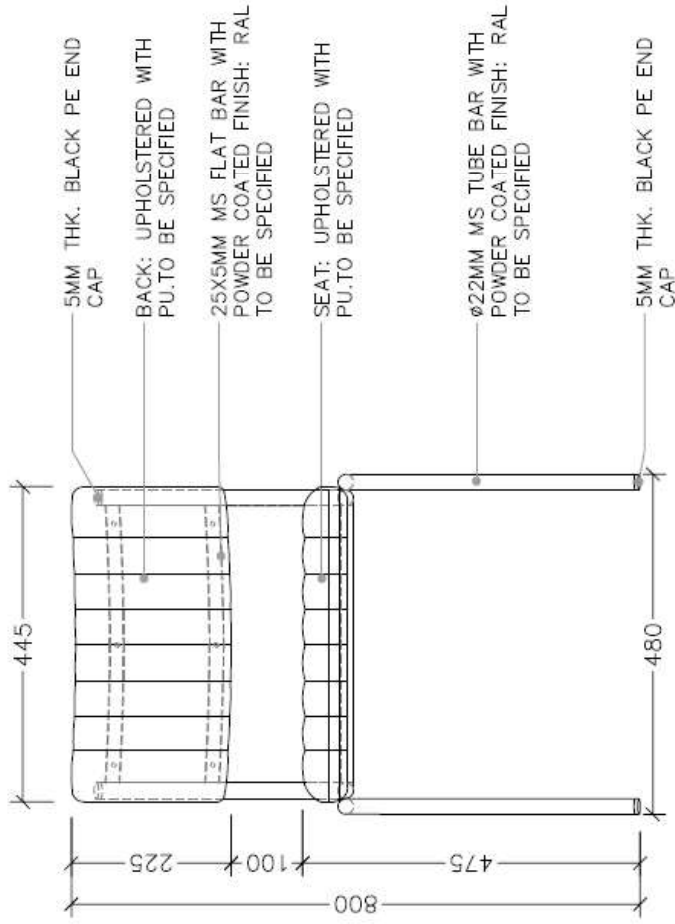


ALL DIMENSIONS ARE IN MM (UNLESS SPECIFIED)		MATERIAL - AS SHOWN		FINISH - as specified		UNSPECIFIED TOLERANCE IS		ASSY. NO.		REC. NO.	
PROJECT		DRAWN BY: Agata		DWG. TITLE: INDOOR CHAIR 3		SCALE: A4 N.T.S					
RESTAURANT FURNITURE Nandos Restaurant		CHECKED BY: Harout K.		ITEM CODE		PROJECTION					
		DATE: 14/07/2023		DWG. NO.		QNTY. 00					
				REV. 00							
 Design & Development Department DUBAI, United Arab Emirates P.O. BOX 474039 TEL : 9714-8841650 FAX : 9714-8841934											

STEFANI CHAIR



- Nando's Ref:** FR-ND Stefani Chair 03
- Dimensions:** 52W x 47D x 73.5H x 45SH (cm)
- Frame:** Solid Ash Wood
- Finish:** Stained as per client's choice of colour
- Upholstery:** Seat – TBA



PROJECT RESTAURANT FURNITURE Nandos Restaurant	MATERIAL - AS SHOWN		FINISH - as specified		UNSPECIFIED TOLERANCE IS		ASSY. NO.	REC. NO.
	DRAWN BY: FAISAL R.	DWG. TITLE INDOOR CHAIR 4			SCALE A4 N.T.S			
CHECKED BY: Harout K.	ITEM CODE	QNTY: 00		PROJECTION				
DATE 30/11/2023	DWG. NO.	REV: 01						

Design & Development Department
DUBAI, United Arab Emirates
P.O. BOX 474039
TEL : 9714-8841650 FAX : 9714-8841934

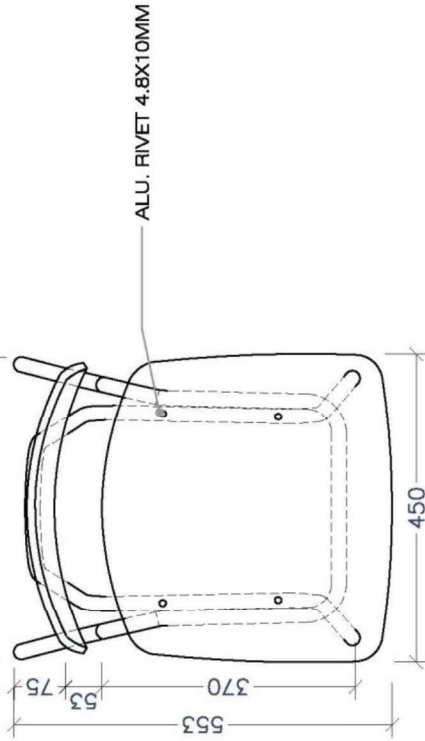
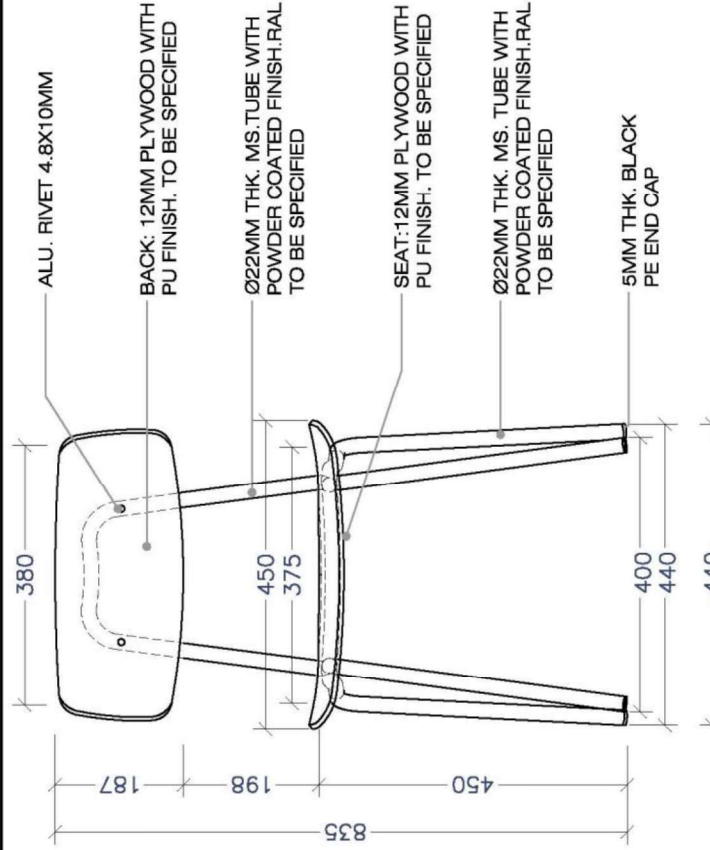
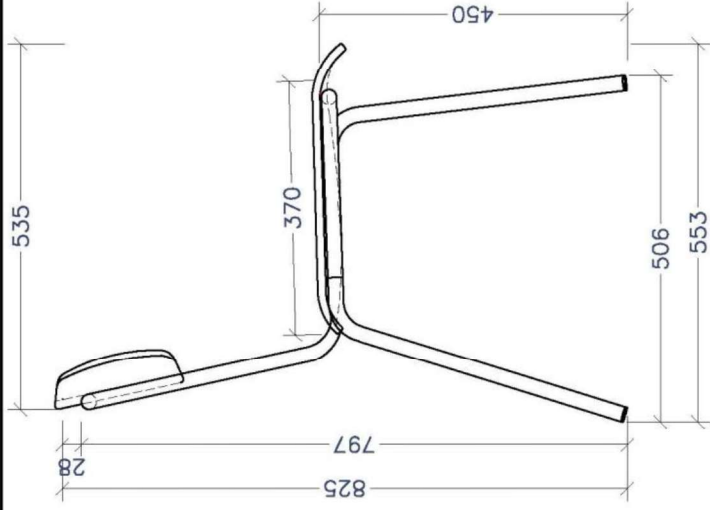
ALL DIMENSIONS ARE IN MM (UNLESS SPECIFIED)

INDOOR CHAIR 4



Photo for reference only

Nando's Ref:	TBA
Dimensions:	48W x 57.5D x 80H x 47.5SH (cm)
Frame:	Mild Steel
Finish:	Powder coated as per client's choice of colour
Upholstery:	Backrest & Seat – TBA



ALU. RIVET 4.8X10MM

BACK: 12MM PLYWOOD WITH PU FINISH. TO BE SPECIFIED

Ø22MM THK. MS.TUBE WITH POWDER COATED FINISH.RAL TO BE SPECIFIED

SEAT:12MM PLYWOOD WITH PU FINISH. TO BE SPECIFIED

Ø22MM THK. MS. TUBE WITH POWDER COATED FINISH.RAL TO BE SPECIFIED

5MM THK. BLACK PE END CAP

ALU. RIVET 4.8X10MM

ALL DIMENSIONS ARE IN MM (UNLESS SPECIFIED)

PROJECT

RESTAURANT FURNITURE
Nandos Restaurant

MATERIAL - AS SHOWN

FINISH- as specified

UNSPECIFIED TOLERANCE IS

SCALE

A4 N.T.S

ASSY.NO.

REC.NO.

QNTY. 00

REV. 00

DWG. NO.

ITEM CODE

DWG. TITLE

INDOOR CHAIR 5

FAISAL R.

DATE

14/07/2023

CHECKED BY.

Harout K.

PROJECTION

SCALE

A4 N.T.S

ASSY.NO.

REC.NO.

QNTY. 00

REV. 00

DWG. NO.

ITEM CODE

DWG. TITLE

INDOOR CHAIR 5

FAISAL R.

DATE

14/07/2023

CHECKED BY.

Harout K.

PROJECTION

SCALE

A4 N.T.S

ASSY.NO.

REC.NO.

QNTY. 00

REV. 00

DWG. NO.

ITEM CODE

DWG. TITLE

INDOOR CHAIR 5

FAISAL R.

DATE

14/07/2023

CHECKED BY.

Harout K.

PROJECTION

SCALE

A4 N.T.S

ASSY.NO.

REC.NO.

QNTY. 00

REV. 00

DWG. NO.

ITEM CODE

DWG. TITLE

INDOOR CHAIR 5

FAISAL R.

DATE

14/07/2023

CHECKED BY.

Harout K.

PROJECTION

SCALE

A4 N.T.S

ASSY.NO.

REC.NO.

QNTY. 00

REV. 00

DWG. NO.

ITEM CODE

DWG. TITLE

INDOOR CHAIR 5

FAISAL R.

DATE

14/07/2023

CHECKED BY.

Harout K.

PROJECTION

SCALE

A4 N.T.S

ASSY.NO.

REC.NO.

QNTY. 00

REV. 00

DWG. NO.

ITEM CODE

DWG. TITLE

INDOOR CHAIR 5

FAISAL R.

DATE

14/07/2023

CHECKED BY.

Harout K.

PROJECTION

SCALE

A4 N.T.S

ASSY.NO.

REC.NO.

QNTY. 00

REV. 00

DWG. NO.

ITEM CODE

DWG. TITLE

INDOOR CHAIR 5

FAISAL R.

DATE

14/07/2023

CHECKED BY.

Harout K.

PROJECTION

SCALE

A4 N.T.S

ASSY.NO.

REC.NO.

QNTY. 00

REV. 00

DWG. NO.

ITEM CODE

DWG. TITLE

INDOOR CHAIR 5

FAISAL R.

DATE

14/07/2023

CHECKED BY.

Harout K.

PROJECTION

SCALE

A4 N.T.S

ASSY.NO.

REC.NO.

QNTY. 00

REV. 00

DWG. NO.

ITEM CODE

DWG. TITLE

INDOOR CHAIR 5

FAISAL R.

DATE

14/07/2023

CHECKED BY.

Harout K.

PROJECTION

SCALE

A4 N.T.S

ASSY.NO.

REC.NO.

QNTY. 00

REV. 00

DWG. NO.

ITEM CODE

DWG. TITLE

INDOOR CHAIR 5

FAISAL R.

DATE

14/07/2023

CHECKED BY.

Harout K.

PROJECTION

SCALE

A4 N.T.S

ASSY.NO.

REC.NO.

QNTY. 00

REV. 00

DWG. NO.

ITEM CODE

DWG. TITLE

INDOOR CHAIR 5

FAISAL R.

DATE

14/07/2023

CHECKED BY.

Harout K.

PROJECTION

SCALE

A4 N.T.S

ASSY.NO.

REC.NO.

QNTY. 00

REV. 00

DWG. NO.

ITEM CODE

DWG. TITLE

INDOOR CHAIR 5

FAISAL R.

DATE

14/07/2023

CHECKED BY.

Harout K.

PROJECTION

SCALE

A4 N.T.S

ASSY.NO.

REC.NO.

QNTY. 00

REV. 00

DWG. NO.

ITEM CODE

DWG. TITLE

INDOOR CHAIR 5

FAISAL R.

DATE

14/07/2023

CHECKED BY.

Harout K.

PROJECTION

SCALE

A4 N.T.S

ASSY.NO.

REC.NO.

QNTY. 00

REV. 00

DWG. NO.

ITEM CODE

DWG. TITLE

INDOOR CHAIR 5

FAISAL R.

DATE

14/07/2023

CHECKED BY.

Harout K.

PROJECTION

SCALE

A4 N.T.S

ASSY.NO.

REC.NO.

QNTY. 00

REV. 00

DWG. NO.

ITEM CODE

DWG. TITLE

INDOOR CHAIR 5

FAISAL R.

DATE

14/07/2023

CHECKED BY.

Harout K.

PROJECTION

SCALE

A4 N.T.S

ASSY.NO.

REC.NO.

QNTY. 00

REV. 00

DWG. NO.

ITEM CODE

DWG. TITLE

INDOOR CHAIR 5

FAISAL R.

DATE

14/07/2023

CHECKED BY.

Harout K.

PROJECTION

SCALE

A4 N.T.S

ASSY.NO.

REC.NO.

QNTY. 00

REV. 00

DWG. NO.

ITEM CODE

DWG. TITLE

INDOOR CHAIR 5

FAISAL R.

DATE

14/07/2023

CHECKED BY.

Harout K.

PROJECTION

SCALE

A4 N.T.S

ASSY.NO.

REC.NO.

QNTY. 00

REV. 00

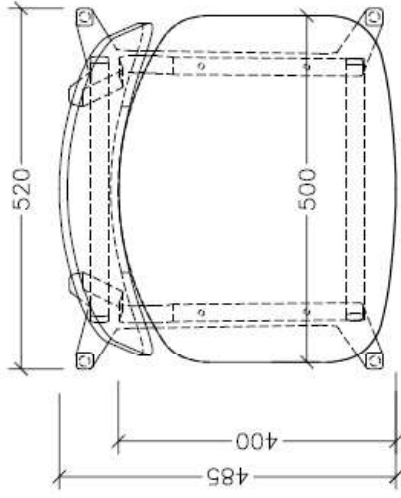
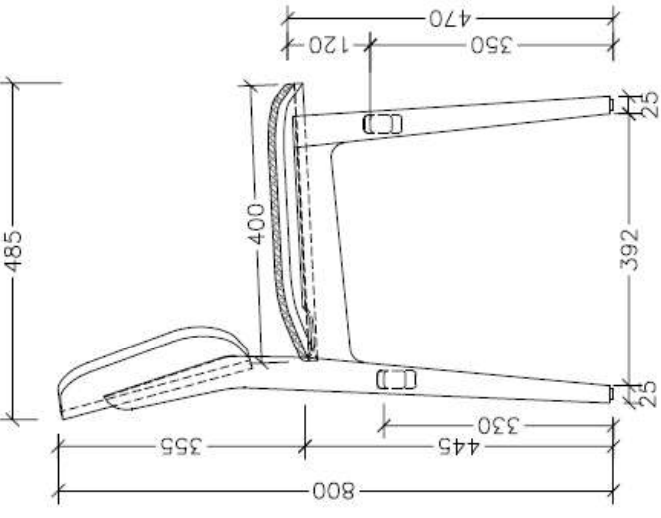
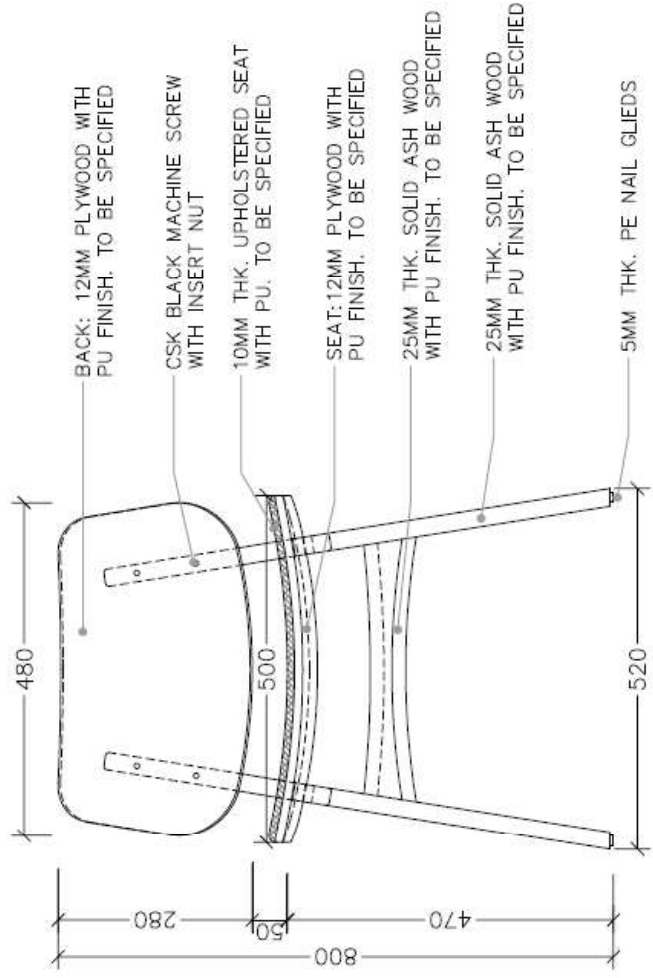
DWG. NO.



ITEM CODE</

INDOOR CHAIR 5



- Nando's Ref:** TBA
- Dimensions:** 45W x 55.3D x 83.5H x 45SH (cm)
- Frame:** Mild Steel Tube
- Finish:** Powder Coated as per Client's Choice of Colour
- Seat & Back:** Plywood with PU finish as per client's choice of colour

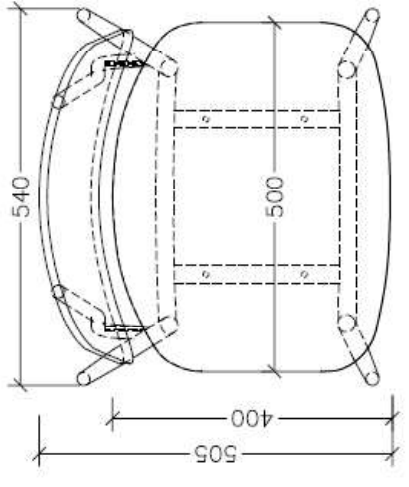
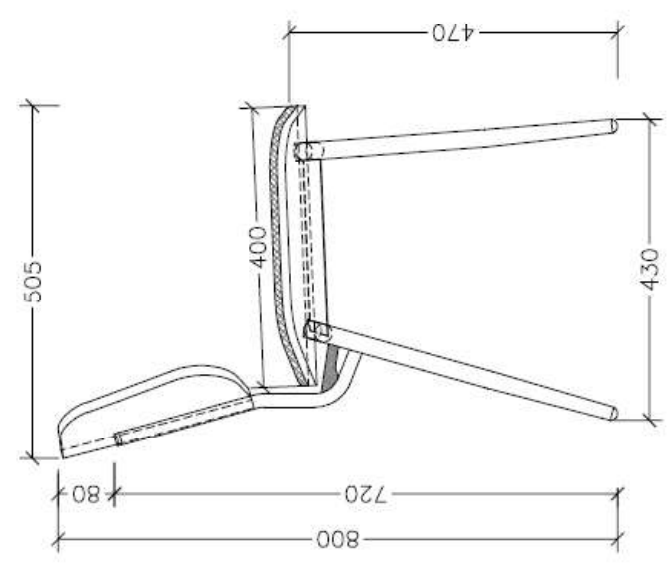
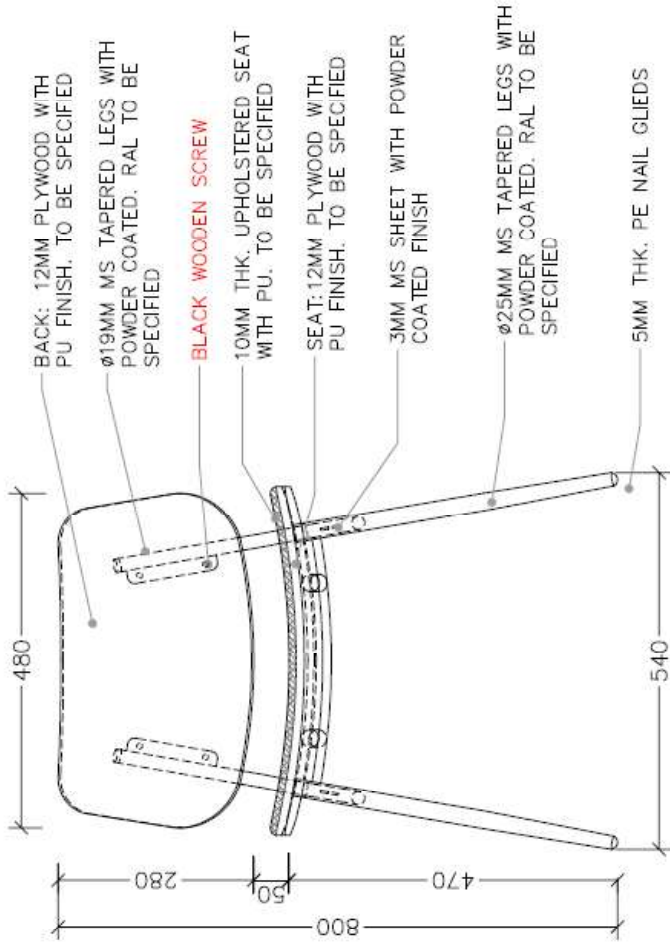



ALL DIMENSIONS ARE IN MM (UNLESS SPECIFIED)		MATERIAL - AS SHOWN		FINISH—as specified		UNSPECIFIED TOLERANCE IS		ASSY.NO.		REC.NO.	
PROJECT RESTAURANT FURNITURE Nandos Restaurant		DRAWN. BY: FAISAL R.		DWG. TITLE INDOOR CHAIR 6		SCALE A4 N.T.S		PROJECTION 		 Design & Development Department DUBAI, United Arab Emirates P.O. BOX 474039 TEL : 9714-8841650 FAX : 9714-8841934	
		CHECKED BY: Harout K.		ITEM CODE		QNTY. 00					
		DATE 30/11/2023		DWG. NO.		REV. 01					

INDOOR CHAIR 6



Nando's Ref: TBA
Dimensions: 52W x 48.5D x 80H x 47SH (cm)
Frame: Solid Ash Wood
Finish: Stained as per client's choice of colour
Upholstery: Seat – TBA

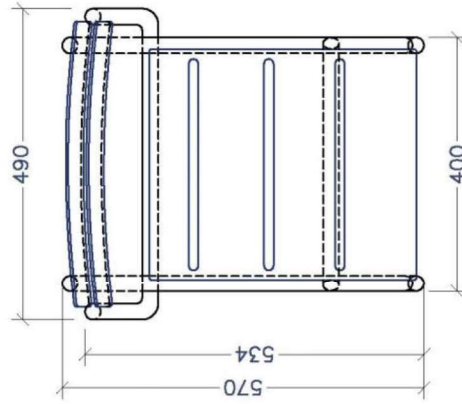
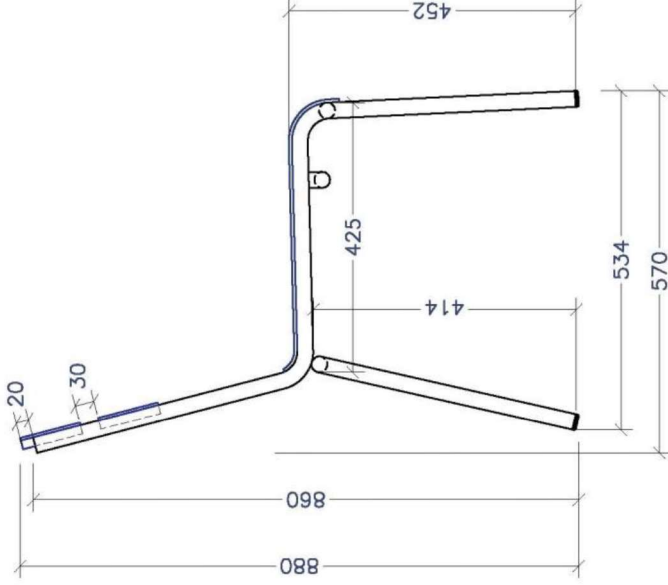
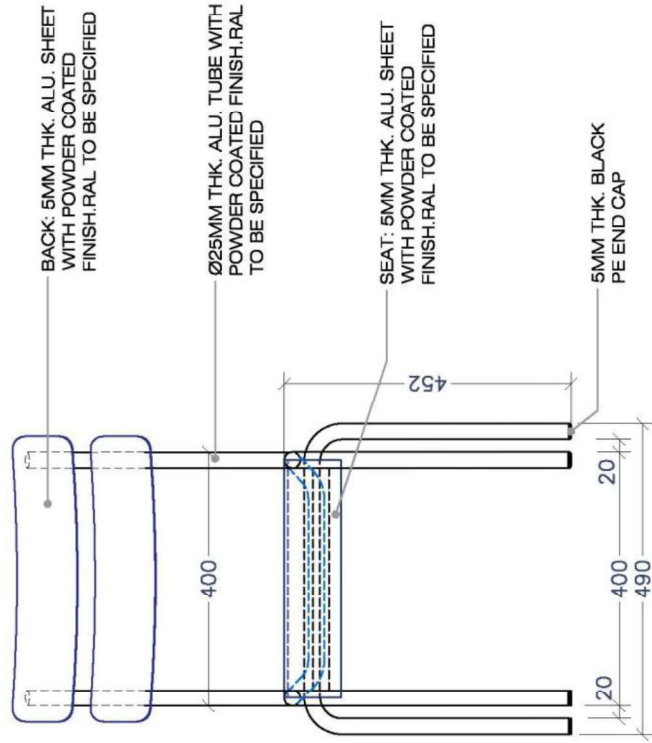


ALL DIMENSIONS ARE IN MM (UNLESS SPECIFIED)		MATERIAL - AS SHOWN		FINISH - as specified		UNSPECIFIED TOLERANCE IS		ASSY.NO.		REC.NO.	
PROJECT		DRAWN. BY. FAISAL R.		DWG. TITLE INDOOR CHAIR 7		SCALE A4 N.T.S				 Design & Development Department DUBAI, United Arab Emirates P.O. BOX 474039 TEL : 9714-8841650 FAX : 9714-8841934	
RESTAURANT FURNITURE Nandos Restaurant		CHECKED BY. Harout K.		ITEM CODE		PROJECTION					
		DATE 30/11/2023		DWG. NO.		QNTY. 00					
						REV. 01					

INDOOR CHAIR 7



- Nando's Ref:** TBA
- Dimensions:** 54W x 50.5D x 80H x 47SH (cm)
- Frame:** Mild Steel
- Finish:** **Frame** - Powder coated as per client's choice of colour
Backrest & Seat - Stained as per client's choice of colour
- Upholstery:** Seat – TBA



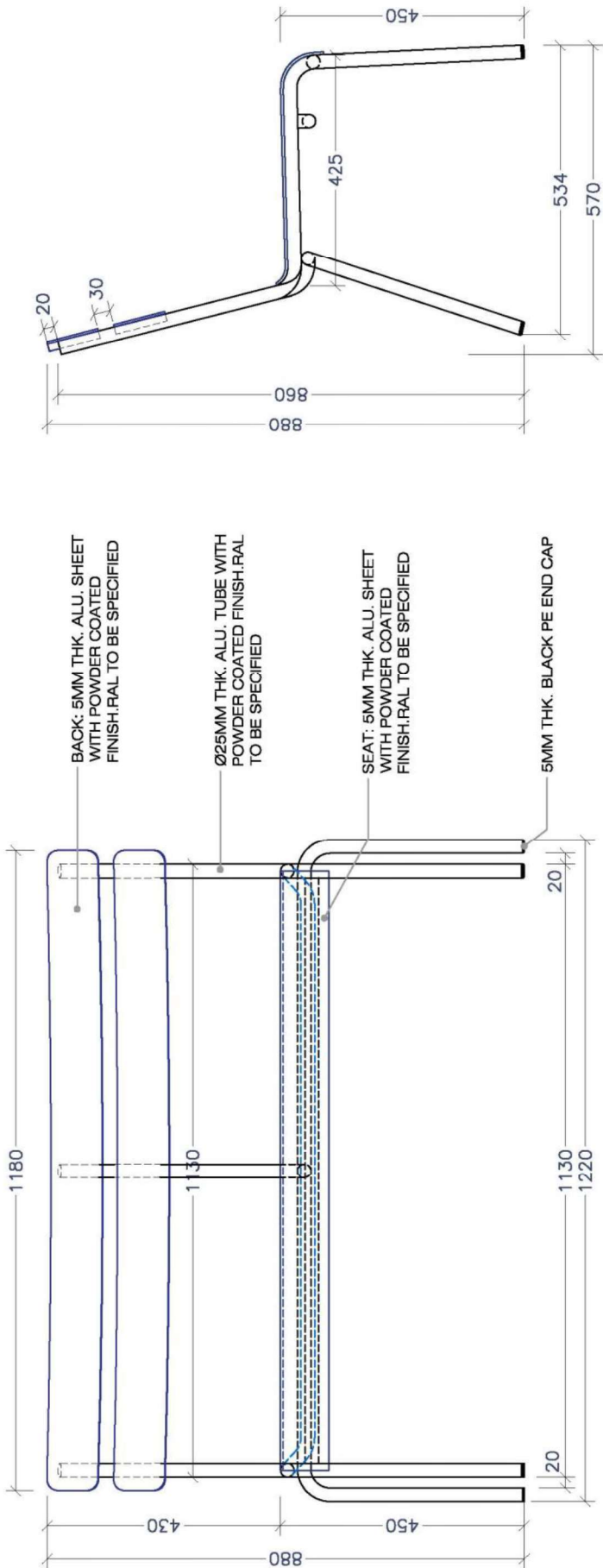
ALL DIMENSIONS ARE IN MM (UNLESS SPECIFIED)		MATERIAL - AS SHOWN		FINISH - as specified		UNSPECIFIED TOLERANCE IS		ASSY. NO.		REC. NO.	
PROJECT		DRAWN. BY: FAISAL R.		DWG. TITLE: OUTDOOR CHAIR 1		SCALE: A4 N.T.S					
RESTAURANT FURNITURE Nandos Restaurant		CHECKED BY: Harout K.		ITEM CODE		PROJECTION					
		DATE: 14/07/2023		DWG. NO.		QNTY. 00					
						REV. 00					

INTERMEAL
 Design & Development Department
 DUBAI, United Arab Emirates
 P.O. BOX 474039
 TEL : 9714-8841650 FAX : 9714-8841934

OUTDOOR CHAIR 1



- Nando's Ref:** TBA
- Dimensions:** 49W x 57D x 88H x 45.2SH (cm)
- Frame:** 25mm Dia. Aluminium Profile
- Finish:** Powder Coated as per Client's Choice of Colour
- Seat & Back:** 5mm Thick Aluminium Sheet



INTERMEAL
 Design & Development Department
 DUBAI, United Arab Emirates
 P.O. BOX 474039
 TEL : 9714-8841650 FAX : 9714-8841934

ALL DIMENSIONS ARE IN MM (UNLESS SPECIFIED)	MATERIAL - AS SHOWN	FINISH - as specified	UNSPECIFIED TOLERANCE IS	ASSY. NO.	REC. NO.
---	---------------------	-----------------------	--------------------------	-----------	----------

SCALE: A4 N.T.S
 PROJECTION:

DWG. TITLE	OUTDOOR CHAIR 2
QNTY.	00
REV.	00

DRAWN BY:	FAISAL R.
CHECKED BY:	Harout K.
DATE	14/07/2023

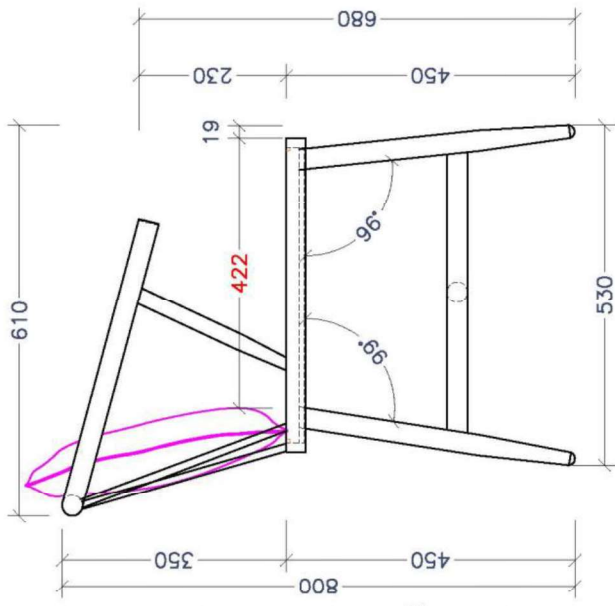
RESTAURANT FURNITURE
 Nandos Restaurant

PROJECT

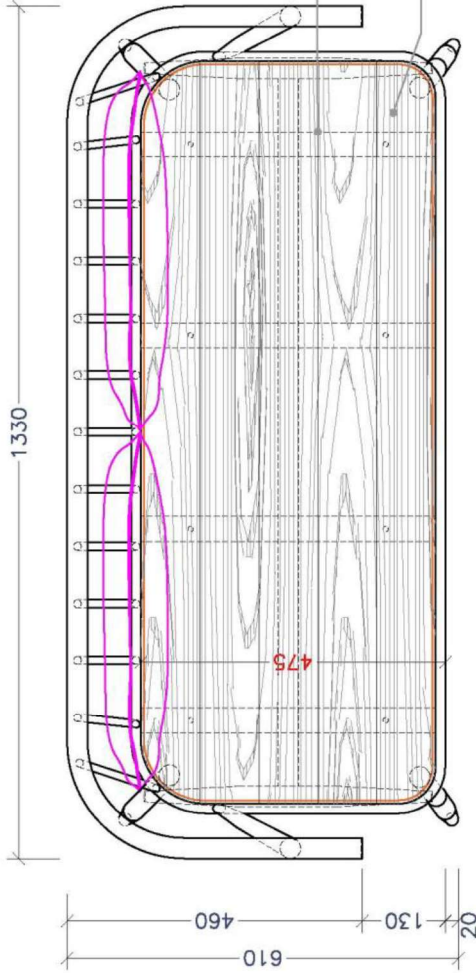
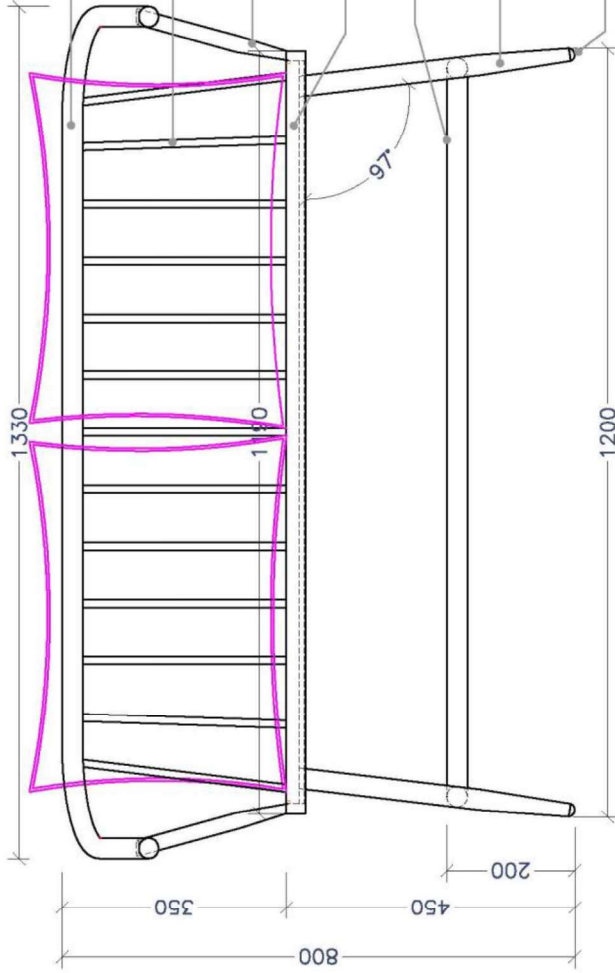
OUTDOOR CHAIR 2



Nando's Ref:	TBA
Dimensions:	122W x 57D x 88H x 45SH (cm)
Frame:	25mm Dia. Aluminium Profile
Finish:	Powder Coated as per Client's Choice of Colour
Seat & Back:	5mm Thick Aluminium Sheet



- 32x2MM THK. ALU. TUBE WITH POWDER COATED FINISH.RAL TO BE SPECIFIED
- 12MM THK. ALU. TUBE WITH POWDER COATED FINISH.RAL TO BE SPECIFIED
- Ø25X2MM THK. ALU. TUBE WITH POWDER COATED FINISH.RAL TO BE SPECIFIED
- SEAT: 22MM THK. IROKO TEAK WOOD WITH TEAK OIL FINISH
- 32x2MM THK. ALU. TUBE WITH POWDER COATED FINISH.RAL TO BE SPECIFIED
- 32x2MM THK. ALU. TUBE WITH POWDER COATED FINISH.RAL TO BE SPECIFIED
- 5MM THK. BLACK PE END CAP



- 40X8MM ALU. FLAT BAR WITH POWDER COATED FINISH.RAL TO BE SPECIFIED
- SEAT: 22MM THK. IROKO TEAK WOOD WITH TEAK OIL FINISH

PROJECT	MATERIAL - AS SHOWN		FINISH - as specified		UNSPECIFIED TOLERANCE IS		ASSY.NO.	REC.NO.
	DRAWN. BY.	FAISAL R.	DWG. TITLE	OUTDOOR CHAIR 3	SCALE		A4 N.T.S	
	CHECKED BY.	Hearout K.	ITEM CODE		PROJECTION			
	DATE	14/07/2023	DWG. NO.		QNTY.	00		
					REV.	00		

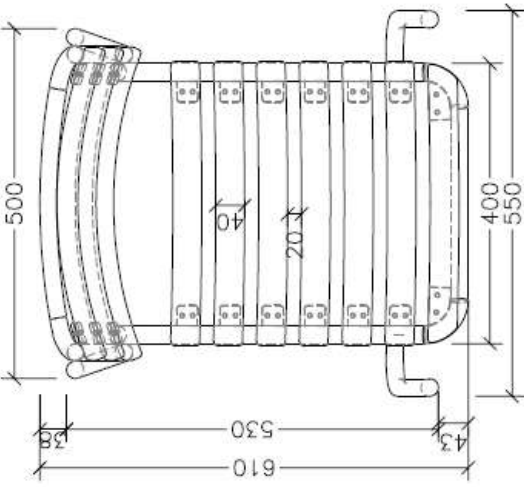
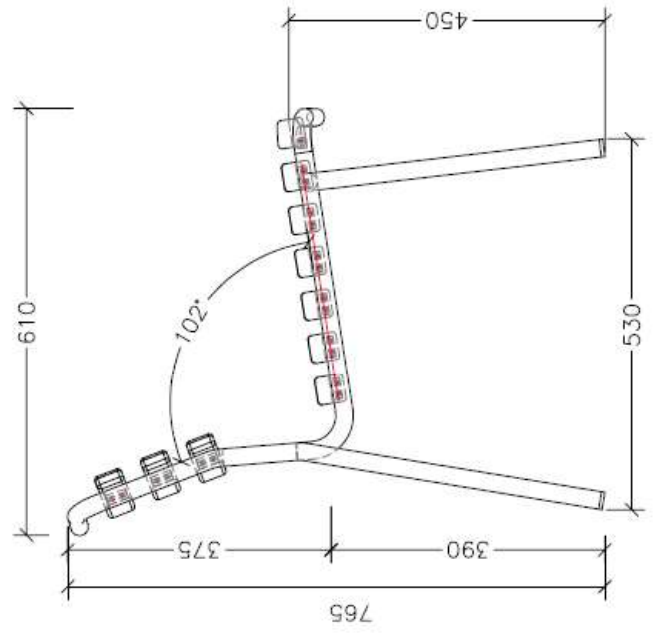
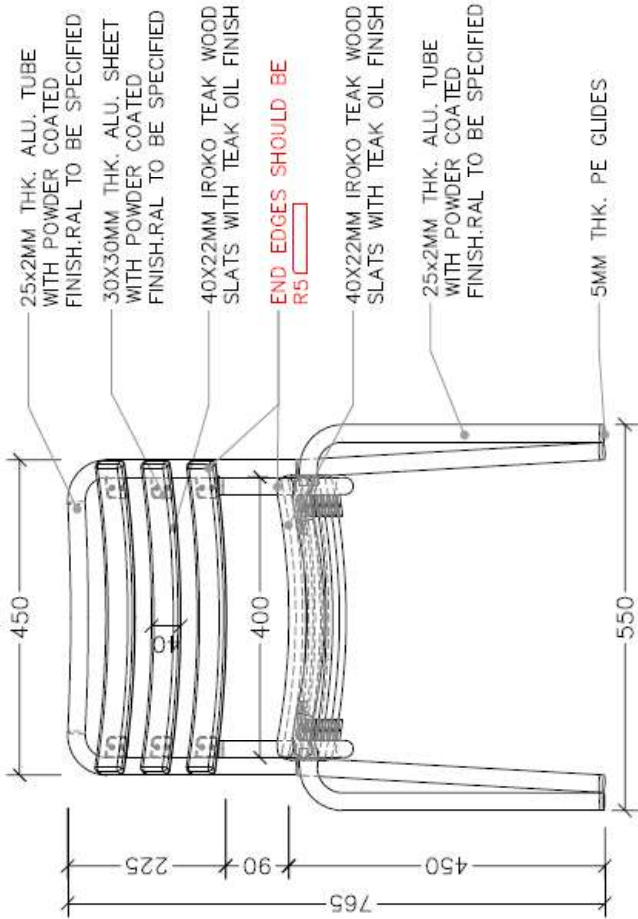
RESTAURANT FURNITURE
Nandos Restaurant

INTERMEAL
Design & Development Department
DUBAI, United Arab Emirates
P.O. BOX 474039
TEL : 9714-8841650 FAX : 9714-8841934

OUTDOOR CHAIR 3



Nando's Ref: TBA
Dimensions: 133W x 61D x 80H x 45SH (cm)
Frame: Aluminium
Finish: Powder Coated as per Client's Choice of Colour
Seat: Iroko teak wood with teak oil finish

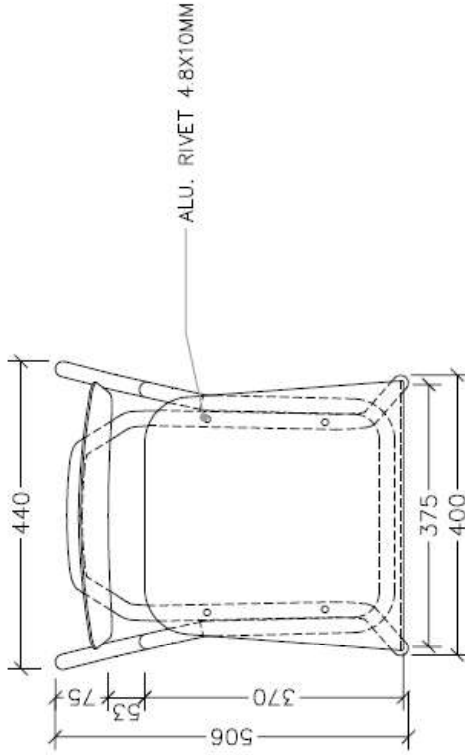
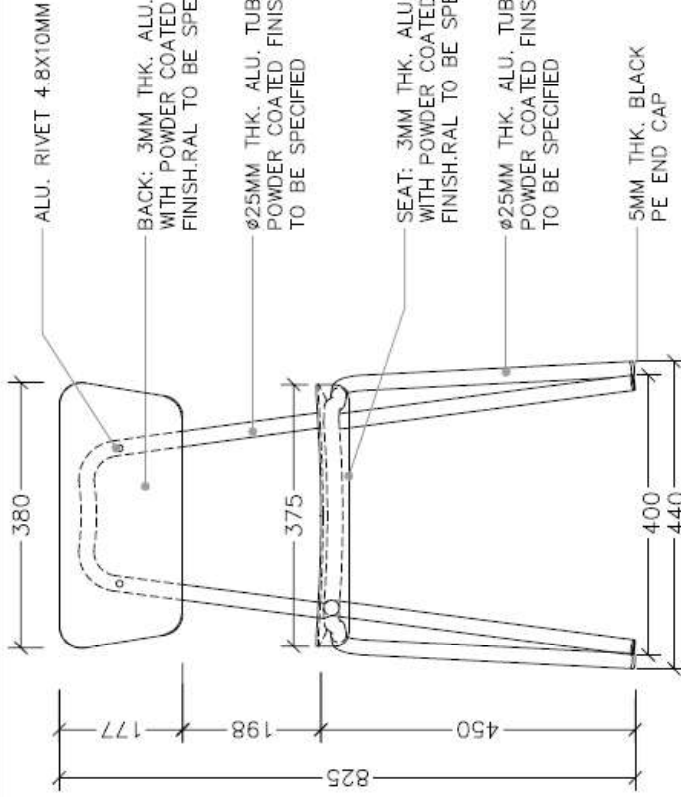
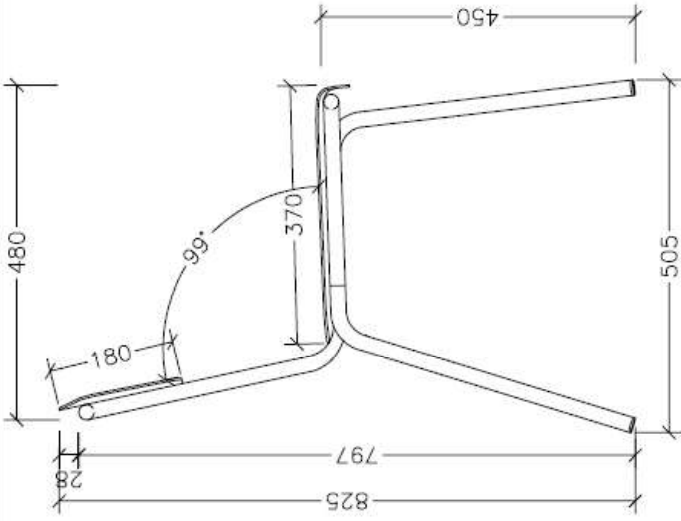


ALL DIMENSIONS ARE IN MM (UNLESS SPECIFIED)		MATERIAL - AS SHOWN	FINISH - as specified	UNSPECIFIED TOLERANCE IS	ASSY. NO.	REC. NO.
PROJECT RESTAURANT FURNITURE Nandos Restaurant	DRAWN BY:	FAISAL R.	OUTDOOR CHAIR 4	SCALE	A4 N.T.S	
	CHECKED BY:	Harout K.	ITEM CODE	PROJECTION		
	DATE	30/11/2023	DWG. NO.	REV. 01		
		DWG. TITLE	QNTY. 00			
				Design & Development Department DUBAI, United Arab Emirates P.O. BOX 474039 TEL : 9714-8841650 FAX : 9714-8841934		



OUTDOOR CHAIR 4



Nando's Ref:	TBA
Dimensions:	55W x 61D x 76.5H x 45SH (cm)
Frame:	Aluminium
Finish:	Powder Coated as per Client's Choice of Colour
Seat & Back:	Iroko teak wood slats with teak oil finish



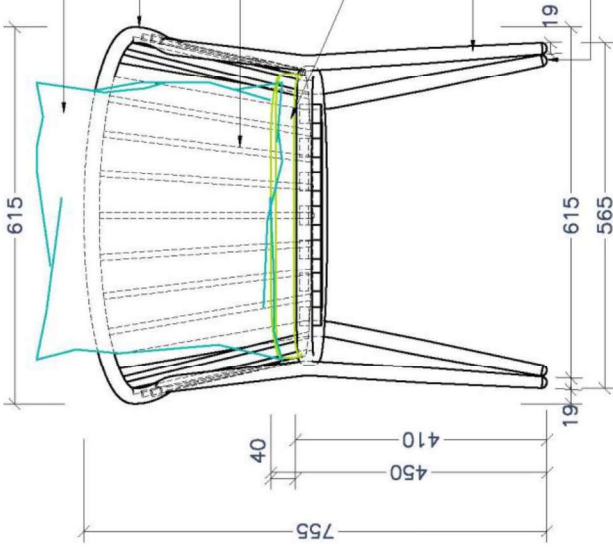
- ALU. RIVET 4-8X10MM
- BACK: 3MM THK. ALU. SHEET WITH POWDER COATED FINISH.RAL TO BE SPECIFIED
- SEAT: 3MM THK. ALU. SHEET WITH POWDER COATED FINISH.RAL TO BE SPECIFIED
- Ø25MM THK. ALU. TUBE WITH POWDER COATED FINISH.RAL TO BE SPECIFIED
- Ø25MM THK. ALU. TUBE WITH POWDER COATED FINISH.RAL TO BE SPECIFIED
- 5MM THK. BLACK PE END CAP

ALL DIMENSIONS ARE IN MM (UNLESS SPECIFIED)		MATERIAL - AS SHOWN		FINISH-as specified		UNSPECIFIED TOLERANCE IS		ASSY.NO.		REC.NO.	
PROJECT		DRAWN. BY: FAISAL R.		DWG. TITLE: OUTDOOR CHAIR 5		SCALE: A4 N.T.S				 Design & Development Department DUBAI, United Arab Emirates P.O. BOX 474039 TEL : 9714-8841650 FAX : 9714-8841934	
RESTAURANT FURNITURE Nandos Restaurant		CHECKED BY: Harout K.		ITEM CODE		PROJECTION					
		DATE: 14/07/2023		DWG. NO.		QNTY. 00				REV. 00	

OUTDOOR CHAIR 5



- Nando's Ref:** TBA
- Dimensions:** 44W x 50.6D x 82.5H x 45SH (cm)
- Frame:** 25mm Dia. Aluminium Profile
- Finish:** Powder Coated as per Client's Choice of Colour
- Seat & Back:** 3mm Thick Aluminium Sheet



LOOSE CUSHION : FABRIC AS PER APPROVE SAMPLE

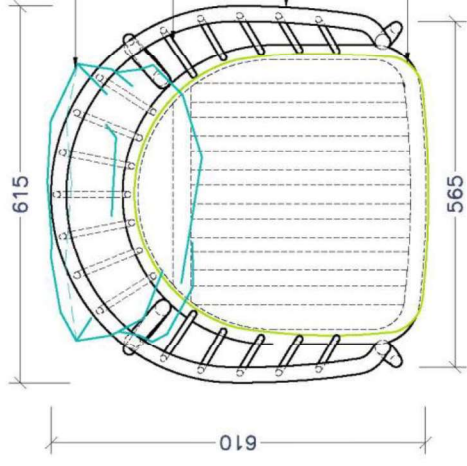
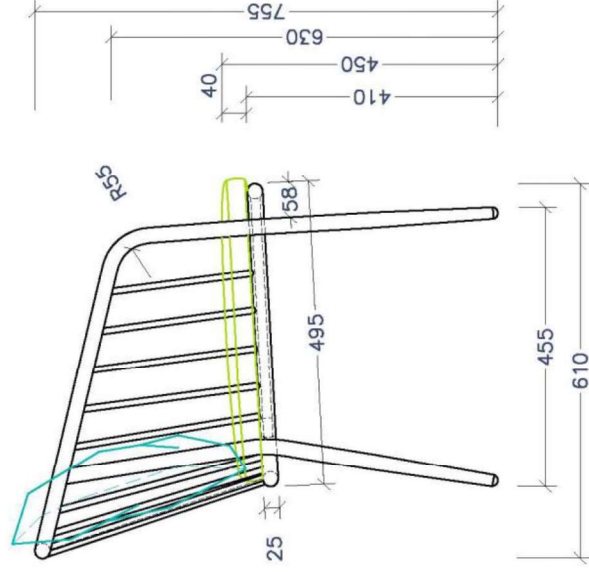
Ø25MM ALU. TUBE WITH POWDER COATED FINISH TO BE SPECIFIED

Ø12MM ALU. TUBE WITH POWDER COATED FINISH TO BE SPECIFIED

SEAT CUSHION : FABRIC AS PER APPROVE SAMPLE

Ø25MM ALU. TUBE WITH POWDER COATED FINISH TO BE SPECIFIED

PU GLIDER



LOOSE CUSHION : FABRIC AS PER APPROVE SAMPLE

Ø12MM ALU. TUBE WITH POWDER COATED FINISH TO BE SPECIFIED

Ø25MM ALU. TUBE WITH POWDER COATED FINISH TO BE SPECIFIED

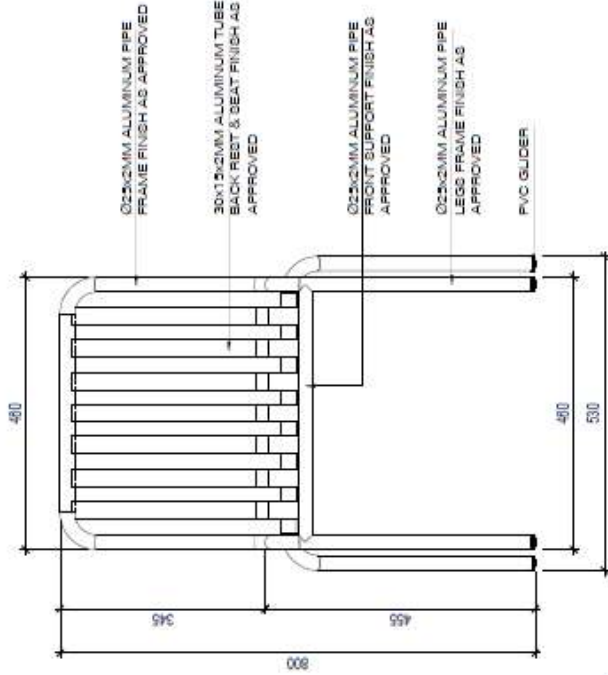
SEAT CUSHION : FABRIC AS PER APPROVE SAMPLE

PROJECT RESTAURANT FURNITURE Nandos Restaurant	MATERIAL - AS SHOWN		FINISH -		UNSPECIFIED TOLERANCE IS	ASSY. NO.	REC. NO.
	DRAWN. BY. FAISAL R.	DWG. TITLE OUTDOOR CHAIR 6	SCALE A4 N.T.S		PROJECTION 	INTERMETAL Design & Development Department DUBAI, United Arab Emirates P.O. BOX 474039 TEL : 9714-8841650 FAX : 9714-8841934	
	CHECKED BY. Harout K.	ITEM CODE	QNTY.	REV.			
DATE 14/07/2023	DWG. NO.						

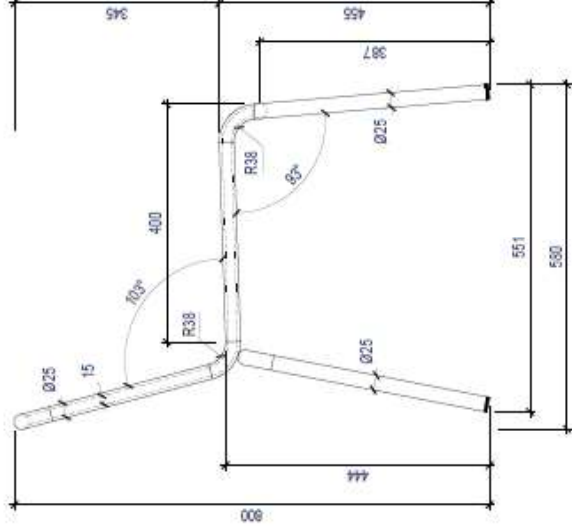
OUTDOOR CHAIR 6



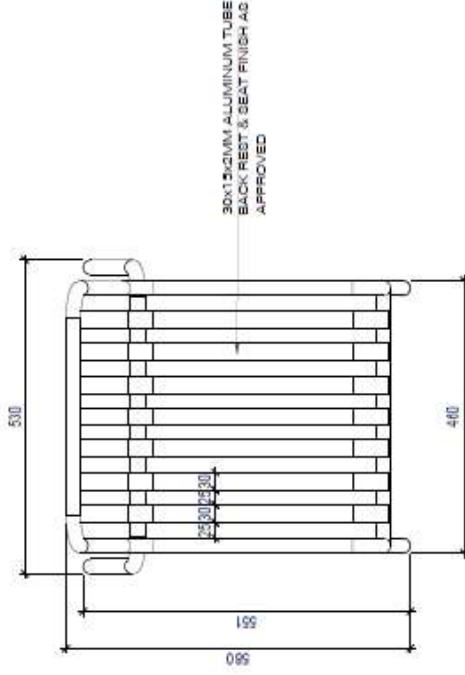
Nando's Ref: TBA
Dimensions: 61.5W x 61D x 75.5H x 45SH (cm)
Frame: Aluminium
Finish: Powder Coated as per Client's Choice of Colour
Upholstery: Seat - TBA



FRONT ELEVATION
SCALE 1:8



SIDE ELEVATION
SCALE 1:8



PLAN VIEW
SCALE 1:8



ISOMETRIC VIEW
SCALE 1:8

ALL DIMENSIONS ARE IN MM (UNLESS SPECIFIED)		MATERIAL - ALUMINIUM	FINISH - ALUMINIUM CHAIR	AS APPROVED	UNSPECIFIED TOLERANCE IS ±0.2mm	ASSY NO.	REC. NO.
DRAWN BY: TAHIR	CHECKED BY: Harout K.	DWG. TITLE	SCALE	PROJECTION	SCALE	DATE	REV.
DATE	DWG. NO.	ITEM CODE	QTY.	REV.	QTY.	REV.	QTY.
21.09/2021	---	---	00	01	00	01	01

OUT DOOR FURNITURE



OUTDOOR CHAIR 7



Nando's Ref: TBA
Dimensions: 53W x 58 x 80H x 45.5SH (cm)
Frame: Aluminium
Finish: Powder Coated as per Client's Choice of Colour