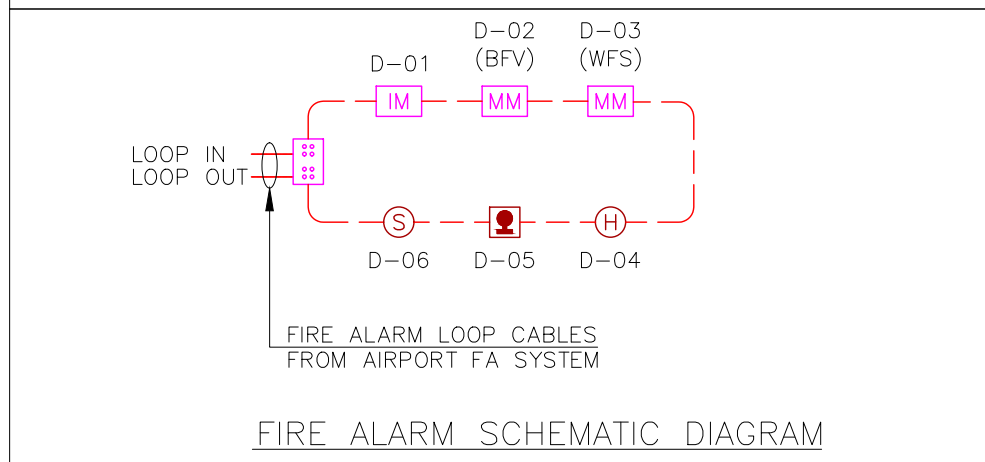


FIRE ALARM LEGEND		
SYMBOL	DESCRIPTION	QTY
(S)	SMOKE DETECTOR (CEILING MOUNTED)	01
(H)	HEAT DETECTOR (CEILING MOUNTED)	01
(M)	MANUAL CALL POINT (PULL STATION)	01
MM	MONITOR MODULE	02
IM	ISOLATION MODULE	01
(J)	LOOP JUNCTION BOX	--
—	FIRE ALARM CIRCUIT	--

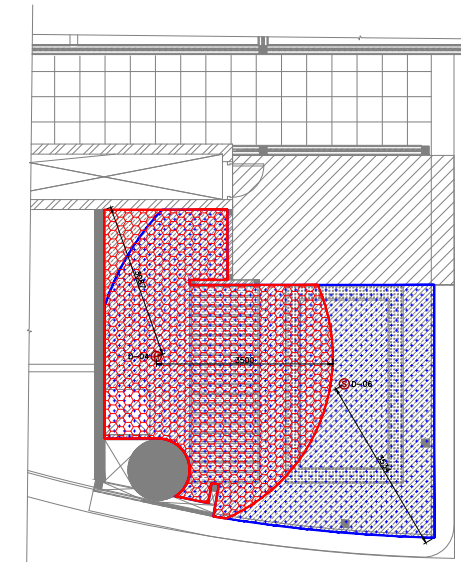
ALL DIMENSIONS MUST BE CHECKED ON SITE.
INFORM THE ENGINEER OF ANY DISCREPANCIES PRIOR TO CONSTRUCTION.

NOTES:
IRRESPECTIVE OF THE DRAWING(S), IT IS THE CONTRACTOR'S OBLIGATION AND RESPONSIBILITY THAT SHALL BE EXECUTED AND COMPLETED IN ACCORDANCE TO THE SPECIFICATION, DRAWING(S) AS WELL AS REQUIREMENT. THE SAID DRAWING(S) SHALL NOT RELIEVE CONTRACTOR FROM ITS OBLIGATION UNDER THE CONTRACT AND IN PARTICULAR FROM ITS RESPONSIBILITY IN RELATION TO THE INSTALLATION MATERIALS AND WORKMANSHIP AND WHERE RELEVANT FROM A DUTY TO SEEK APPROVAL FROM THE COMPETENT AUTHORITY.

- NOTES
- ALL DIMENSIONS & LEVELS ARE IN "MM" OR OTHERWISE SPECIFIED.
 - COMPLY WITH THE REQUIREMENTS OF NFPA 72.
 - FIRE ALARM DEVICES TO BE SAME / RECOMMENDED MAKE USED AT AIRPORT TO AVOID COMPATIBILITY ISSUES.
 - FIRE ALARM SYSTEM LOOP CABLE TO BE SAME SIZE & TYPE AS USED BY AIRPORT.
 - RESPONSE INDICATOR (RI) TO BE PROVIDED AT FALSE CEILING FOR ABOVE CEILING DETECTORS.
- ABBREVIATIONS
- BFV – BUTTERFLY VALVE
 - WFS – WATER FLOW SWITCH



C00 12.02.24 GOOD FOR CONSTRUCTION TT WJ
REV DATE DESCRIPTION DRN CHK



FIRE ALARM LEGEND	
(Blue hatched)	SMOKE DETECTOR COVERAGE
(Red hatched)	HEAT DETECTOR COVERAGE

PROJECT
FF-045
MILIE COOKIES
HYDERABAD AIRPORT

DRAWING TITLE
FIRE ALARM LAYOUT

SCALE 1:50 DATE 12.02.24 DRAWN TT A3 SHEET

STATUS
GOOD FOR CONSTRUCTION

ORG PROJECT NO DRAWING TYPE NUMBER REV
TFS XXXX FIRE F101 C00

ALL DIMENSIONS MUST BE CHECKED ON SITE.
INFORM THE ENGINEER OF ANY DISCREPANCIES PRIOR TO CONSTRUCTION.

NOTES:
IRRESPECTIVE OF THE DRAWING(S), IT IS THE CONTRACTOR'S OBLIGATION AND RESPONSIBILITY THAT SHALL BE EXECUTED AND COMPLETED IN ACCORDANCE TO THE SPECIFICATION, DRAWING(S) AS WELL AS REQUIREMENT. THE SAID DRAWING(S) SHALL NOT RELIEVE CONTRACTOR FROM ITS OBLIGATION UNDER THE CONTRACT AND IN PARTICULAR FROM ITS RESPONSIBILITY IN RELATION TO THE INSTALLATION MATERIALS AND WORKMANSHIP AND WHERE RELEVANT FROM A DUTY TO SEEK APPROVAL FROM THE COMPETENT AUTHORITY.

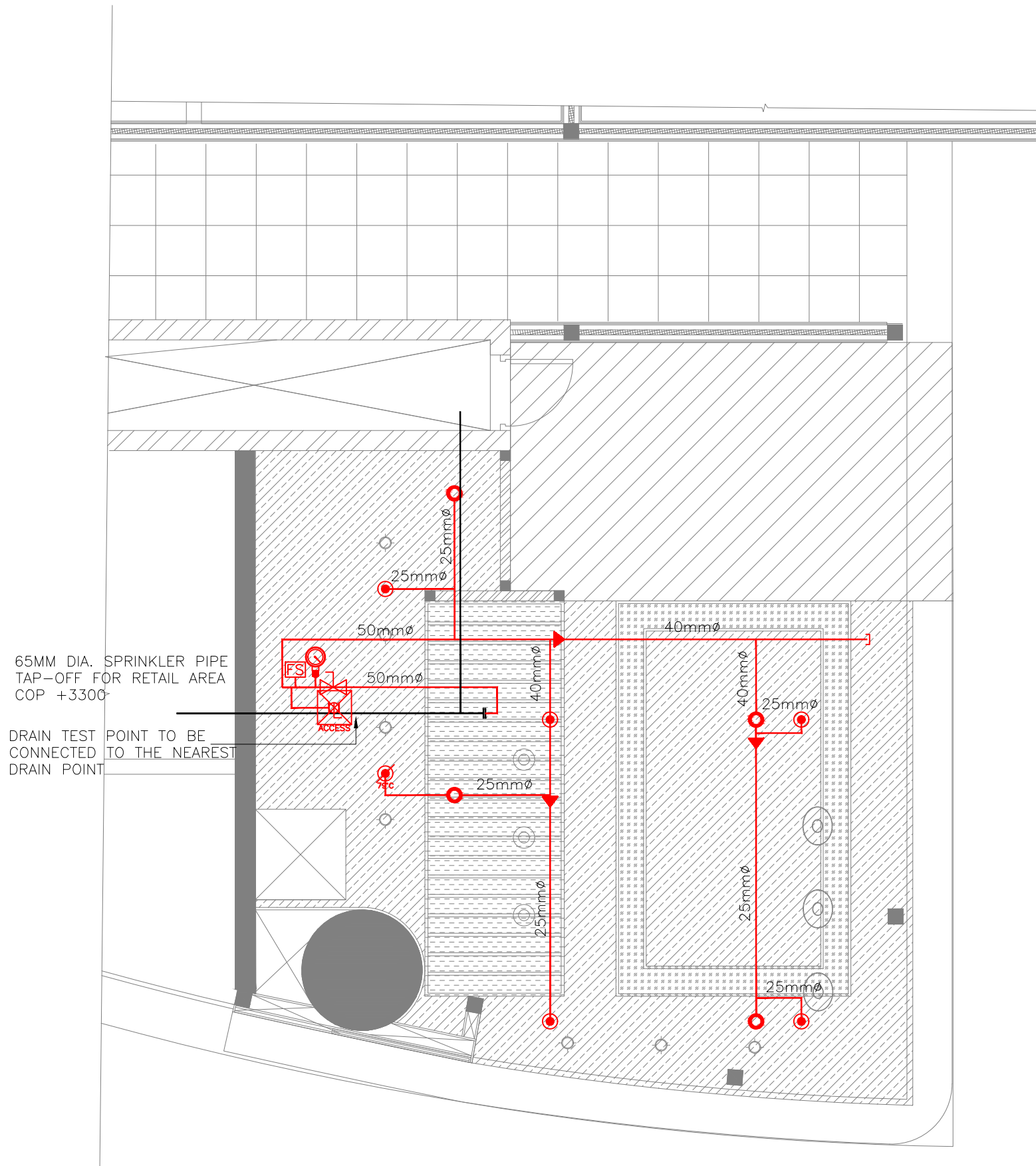
FIRE SPRINKLER SYSTEM LEGEND

SYMBOL	DESCRIPTION	QTY
	SPRINKLER HEAD UPRIGHT	04
	SPRINKLER HEAD PENDENT	04
	SPRINKLER HEAD UPRIGHT HIGH TEMPERATURE	01
	SPRINKLER BUTTERFLY VALVE (ISOLATION VALVE)	01
	SPRINKLER PIPE FLOW SWITCH	01
	SPRINKLER PIPE	--
	SPRINKLER PIPE EXISTING	--
	SPRINKLER PIPE REDUCER	--
	PRESSURE GAUGE	01
	SPRINKLER BALL VALVE - TEST DRAIN	01
	ACCESS DOOR - 300 x 300	01

NOTES:

- INSTALLATION WORKS FOR THE AUTOMATIC SPRINKLERS SYSTEM SHALL COMPLY WITH THE REQUIREMENTS OF NPFA 13.
- ISOLATION VALVE SHALL BE CONSIDERED AT SPRINKLER TAPPING (PN16) AND TRAP DOOR SHALL BE PROVIDED FOR THE SAME FOR EASY MAINTENANCE.
- M.S "C" CLASS PIPES SHALL BE USED FOR THE FF PIPES.
- DRAIN PIPE WITH BALL VALVE TO BE PROVIDED AFTER THE ISOLATION VALVE FOR MAINTENANCE PURPOSE AS PER SITE CONDITION.
- ALL FIRE SPRINKLER PENDANT SHALL HAVE A COVERAGE AREA OF APPROXIMATELY 24 SQ.METER.
- PRESSURE GAUGE TO BE PROVIDED AFTER ISOLATION VALVE.

- ELBOW DOWN
- ELBOW UP
- TOP CONNECTION
- BOTTOM CONNECTION



65MM DIA. SPRINKLER PIPE
TAP-OFF FOR RETAIL AREA
COP +3300

DRAIN TEST POINT TO BE
CONNECTED TO THE NEAREST
DRAIN POINT

COO 12.02.24 GOOD FOR CONSTRUCTION ST MB
REV DATE DESCRIPTION DRN CHK



PROJECT
FF-045
MILIE COOKIES
HYDERABAD AIRPORT

DRAWING TITLE
FIRE SPRINKLER LAYOUT



SCALE 1:50 DATE 12.02.24 DRAWN ST A3 SHEET

STATUS
GOOD FOR CONSTRUCTION

ORG PROJECT NO DRAWING TYPE NUMBER REV
TFS XXXX FIRE F201 C00

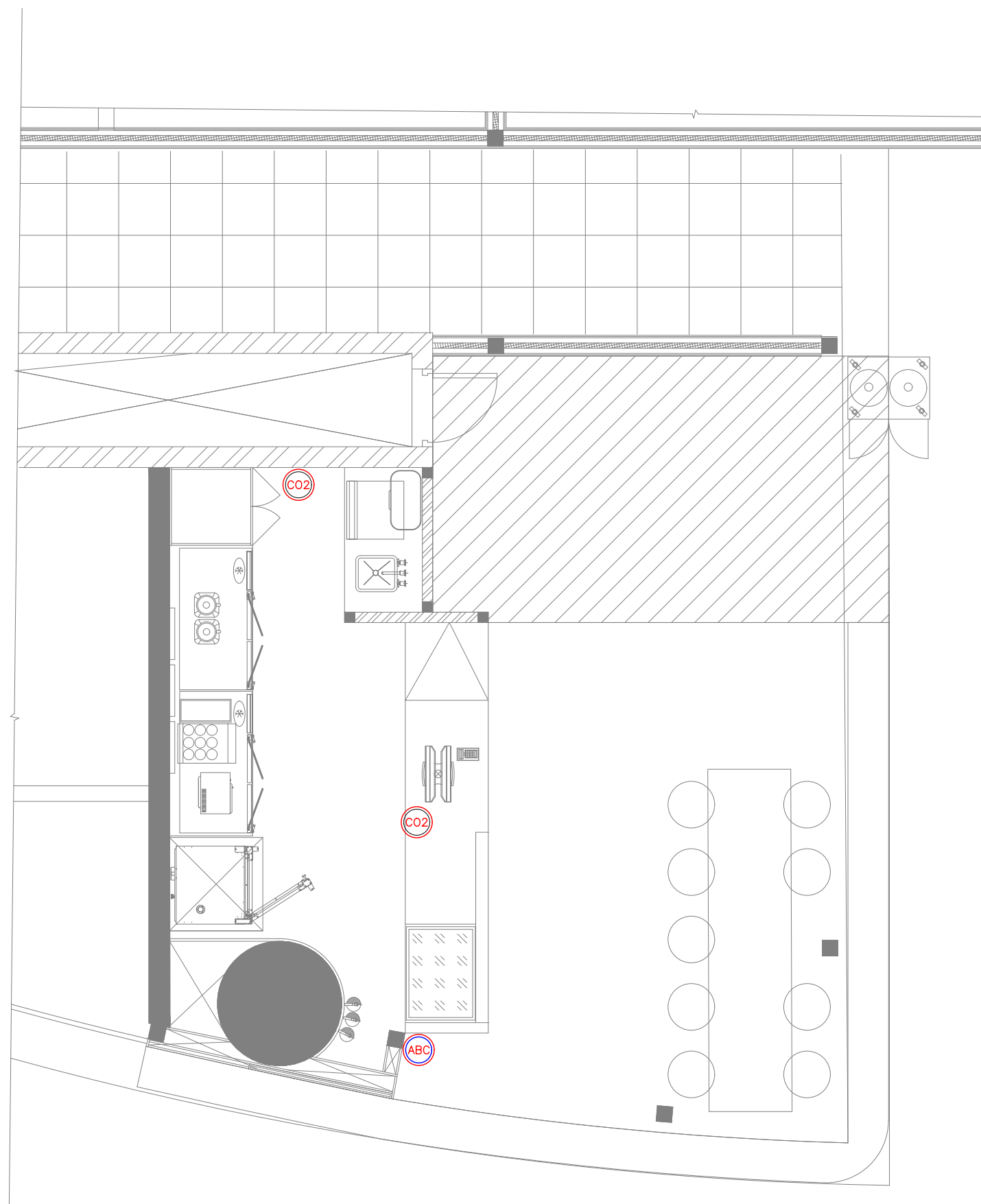
ALL DIMENSIONS MUST BE CHECKED ON SITE.
INFORM THE ENGINEER OF ANY DISCREPANCIES PRIOR TO CONSTRUCTION.

NOTES:
IRRESPECTIVE OF THE DRAWING(S), IT IS THE CONTRACTOR'S OBLIGATION AND RESPONSIBILITY THAT SHALL BE EXECUTED AND COMPLETED IN ACCORDANCE TO THE SPECIFICATION, DRAWING(S) AS WELL AS REQUIREMENT. THE SAID DRAWING(S) SHALL NOT RELIEVE CONTRACTOR FROM ITS OBLIGATION UNDER THE CONTRACT AND IN PARTICULAR FROM ITS RESPONSIBILITY IN RELATION TO THE INSTALLATION MATERIALS AND WORKMANSHIP AND WHERE RELEVANT FROM A DUTY TO SEEK APPROVAL FROM THE COMPETENT AUTHORITY.

FIRE EXTINGUISHERS LEGEND		
SYMBOL	DESCRIPTION	QTY
	FIRE EXTINGUISHER_CLASS ABC (DRY POWDER) – 4 KG	01
	FIRE EXTINGUISHER_CLASS BC (CO2) – 3.0 KG	02

NOTES:

- FIRE EXTINGUISHER SHALL BE INSTALLED IN LOCATION WHERE THEY ARE VISIBLE
- FIRE EXTINGUISHER SHALL BE CONSPICUOUSLY LOCATED WHERE THEY ARE READILY ACCESSIBLE AND IMMEDIATELY AVAILABLE IN THE EVENT OF FIRE.
- FIRE EXTINGUISHER SHALL BE INSTALLED SO THAT THE FIRE EXTINGUISHER'S OPERATING INSTRUCTIONS FACE OUTWARD.
- FIRE EXTINGUISHER SHALL BE INSTALLED SO THAT IN NO CASES THE TOP OF THE EXTINGUISHER IS NOT MORE THAT 1500MM ABOVE THE FLOOR LEVEL OR THE CLEARANCE BETWEEN THE BOTTOM OF THE HAND PORTABLE FIRE EXTINGUISHER AND THE FLOOR BE LESS THAN 100MM.
- SIGNS OR OTHER MEANS USED TO INDICATE FIRE EXTINGUISHER LOCATION SHALL BE LOCATED IN CLOSE PROXIMITY TO THE EXTINGUISHER AND SHALL BE VISIBLE FROM THE NORMAL PATH OF TRAVEL.
- ALL FIRE EXTINGUISHER SIGNS TO BE PROVIDED WITH NIGHT GLOW.



COO 12.02.24 GOOD FOR CONSTRUCTION ST MB
REV DATE DESCRIPTION DRN CHK



PROJECT
FF-045
MILIE COOKIES
HYDERABAD AIRPORT

DRAWING TITLE
FIRE EXTINGUISHER LAYOUT

SCALE 1:50 DATE 12.02.24 DRAWN ST A3 SHEET

STATUS
GOOD FOR CONSTRUCTION

ORG PROJECT NO DRAWING TYPE NUMBER REV
TFS XXXX FIRE F301 C00