

General Notes :

- All dimensions are in millimeters.
- Dimensions are to be read and not to be scaled.
- The contractors must verify all dimensions on site and refer the relevant STRUCTURAL and other MEP drawings before commencing any work or preparing shop drawings, and in case any discrepancy is noticed the same shall be brought to the notice of the architect and shall be clarified before execution of work.
- Refer this drawing along with the other relevant architectural, structural and MEP services drawings.
- All Sill & Lintel levels to be considered from FFL.

MEP CONSULTANTS:
PILLARPLUS PVT LTD-The New Age MEP Consultancy Firm
 Plot No. 45.46 guru Jambheshwar Nagar A,
 Vijay Dwar, Gandhipath, Jaipur-302021
 PillarPlus JAIPUR | GURGAON | BANGLORE
 Email: contact@pillarplus.com | Contact No: +91-9799858301 | Website: www.pillarplus.com

Rev.	Date	Description	Approved
Revision Index			

CLIENT
TFS (R&R) PVT. LTD.

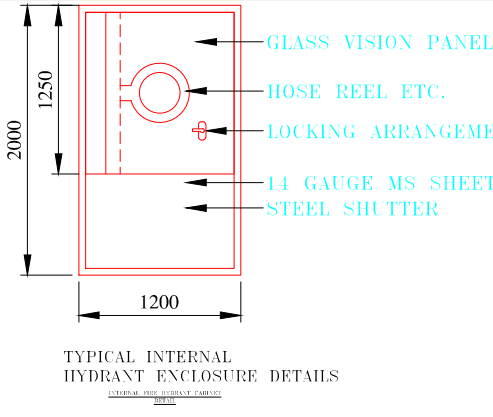
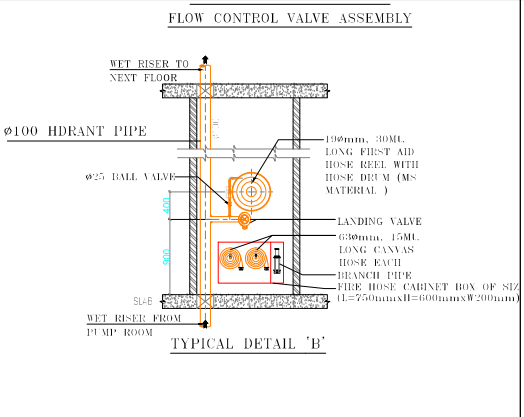
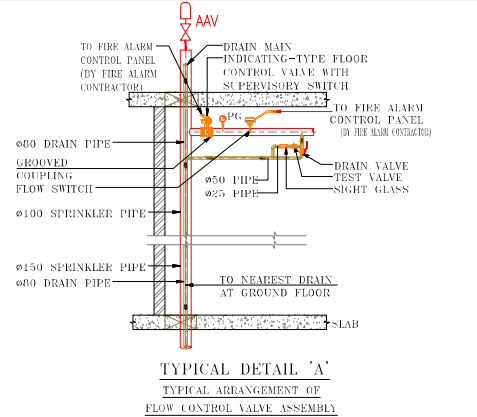
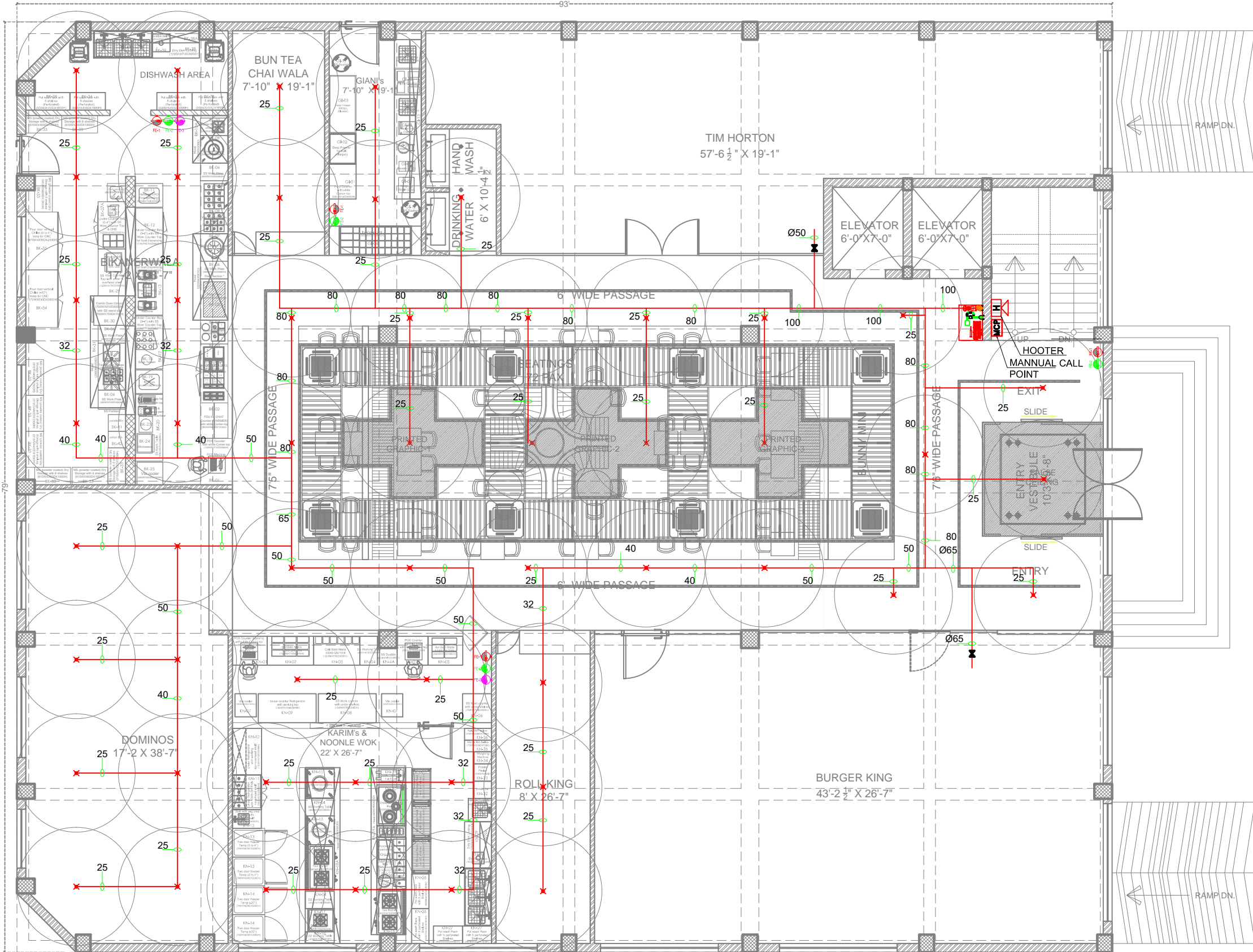
ARCHITECTS
PLUGD
 Ar. Ritika Malik & Ar. Sourabh Khurana
 1st Floor, C-78, Sector-88, Noida - 201305

DRAWING TITLE
GROUND FLOOR FIRE FIGHTING LAYOUT

FOR TENDER	DATE	PROJ.Architect
<input type="checkbox"/>	17-01-2024	DRAWN: KARTIK
<input type="checkbox"/>	SCALE	CHECKED: WASEEM NOOR
<input type="checkbox"/>	NTS	

DRAWING NO: **PL/UNA/WD/FF/FT-07** REVISION: **R0**

PLUGD
 C-78, Sector 88, Noida-201305
 The contents of this drawing constitute the original and unpublished work of PLUGD and no part of the drawing shall be disclosed / modified / used in any manner without their prior consent.



ORDINARY HAZARD PIPE SCHEDULE:
 (AS PER IS-15105:2002 GUIDELINES)

PIPE DIA.	NO. OF SPRINKLER
25ø	2 SPRINKLER
32ø	3 SPRINKLER
40ø	5 SPRINKLER
50ø	10 SPRINKLER
65ø	20 SPRINKLER
80ø	40 SPRINKLER
100ø	100 SPRINKLER
125ø	160 SPRINKLER
150ø	275 SPRINKLER

LEGEND'S:

S.N.	DESCRIPTION	SYMBOL
01.	HYDRANT PIPE	[Symbol]
02.	INTERNAL DRAIN PIPE	[Symbol]
03.	FIRE SPRINKLER PIPE	[Symbol]
04.	CEILING PENDANT SPRINKLER	[Symbol]
05.	HOSE DRUM	[Symbol]
06.	NOZZALE	[Symbol]
07.	FIRE EXTINGUISHER K TYPE-6KG	[Symbol]
08.	FIRE EXTINGUISHER CO2-5KG	[Symbol]
08.	FIRE EXTINGUISHER ABC-6KG	[Symbol]
10.	MANNUAL CALL POINT	[Symbol]
11.	HOOTER	[Symbol]